



Instruction Manual



AUTO-RABBIT 6 COLUMNS

12V

110V

220V

380V

This Technical Manual is a guide to assist the User in the Assembly and in the starting of his new Trap.

Available from your LAPORTE Dealer, in printed form or on CD-ROM,
or reference our WEB-SITE and FREE "Download" to your PC.

FEATURES AND DESCRIPTIONS

The LAPORTE® Trap model AUTO-RABBIT is a fully automatic trap for **Sporting Clay shooting**. Since its creation this 6 column Trap has been selected for use in most of the important international competitions. This model combining robustness and simplicity ensures reliability with target trajectory regularity.

Involved in the most famous championships for more than 14 years.

SPECIFICATIONS :

- COMPANY WITH PROVEN RECORD OF SUCCESS

- 70 Years of Trap design
- Supplier to Olympic Games
- Only traps on market endorsed by NSSA (National Skeet Sporting Association, USA), NSCA (National Sporting Clay Association, USA), FITASC (International Federation for Shooting Sport), and by appointment to Her Majesty the Queen of U.K.

- UNCOMPLICATED DESIGN

- Friendly Use
- Minimum moving parts
- Easy maintenance and parts replacement

- MAGAZINE:

- 6 columns
- 320 / 400 target capacity
- Top loading

- TARGET:

- Rabbit, Auto-Rabbit (100 and 110 mm).

- FRAME. High quality epoxy paint finish.

- Light weight, easily moved

- PRE-WIRED ELECTRICAL CONTROL BOX.

- Easily maintained electrical parts

- SAFETY

- Safety guard for the wheel. **Note: Must always be assembled on Trap**
- Encircles whole area traversed by throwing arm

- EASY SPEED ADJUSTMENTS

- REMOTE:

- By cable.
- Or on option : by radio remote control or voice release system upon request.

- VOLTAGE: available in 12V, 110 V, 220V mono, 220V3Ph, and 380V3Ph+Neutral.

- RE-COCKING: in less than 2 seconds. The motor only operates for a short time during the re-cocking sequence and therefore, uses very little power.

- ENERGY SAVINGS: the motor connected to the wheel in controlled by a timer.

- WEIGHT: 60 Kg

If you have any questions or need assistance, please call :
LAPORTE® Head Office Phone : +33 493 65 77 77 Fax : +33 493 65 77 78
e-mail export@laporte-shooting.com www.laporte-shooting.com

SAFETY FIRST

DANGER - THESE MACHINES CAN CAUSE SERIOUS INJURY!
READ INSTRUCTIONS THOROUGHLY BEFORE ATTEMPTING TO INSTALL OR OPERATE!

1. ⚡ BEFORE :

- Installing the trap,
- Connecting power,
- Lubricating,
- Loading the magazine or
- Making any adjustments

⚡ Be sure the "ON-OFF" toggle switch on the electrical control box is in the "OFF" position, and the machine is disconnected from the power source.

2. All personnel required to operate the trap, or load targets into the magazine, should read this instruction manual and be trained by someone knowledgeable as to the safe operation of the equipment.

3. **Only one person should operate the trap at any one time.**

4. Safety glasses must be worn by all personnel within close proximity to the trap to prevent eye injury from flying target fragments.

5. Always keep children and animals away from the trap machine.

6. Before turning on any switches, move to a safe position at the left rear of the trap and make sure that no one is within the danger zone in front of the trap. High-speed fragments from broken targets being thrown, may fly outside the normal target danger zone, even backwards. (They may even rebound off traphouse sides etc.). When trap is ready for use, always leave the area by keeping to the rear of the machine.

7. Before approaching the trap, for any maintenance, adjustments, or for the loading of targets, be sure the trap is turned off with the "ON-OFF" toggle switch on the electrical control box in the "OFF" position.

NOTE: TO PLACE THE TRAP IN A SAFE CONDITION, MOVE THE "ON-OFF" TOGGLE SWITCH, ON THE ELECTRICAL CONTROL BOX, TO THE "OFF" POSITION THEN DISCONNECT POWER FROM THE ELECTRICAL CONTROL BOX.

START-UP INSTRUCTIONS

This trap may be installed on a wooden or concrete platform or on the LAPORTE Multi-Position Base Unit. Secure the trap to the base using suitable screws and bolts for the type of platform being used.

1. Installation of the magazine:

If the clays are piled up in the normal way:

Make sure you hold the carousel push bar back out of the way of the carousel. This bar is at the rear of the machine and should be rotated in a clockwise direction, against spring pressure to enable the carousel to drop into position.

You will also need to compress the front brass target retainer springs, on the carousel, to allow it to drop.

If the clays are piled up upside down:

Insert a supplementary brass washer in order to heighten the magazine.

Note : When installing the carousel base spindle into the trap base, ensure the brass washer does not fall off the spindle.

2. Electrical connection:

For machines in **12 V**, control the polarities “+” and “-” on the power supply.

For machines in **110 to 380 V**, do not forget to plug the earth conductor.

For machines in **three phase** :

Make sure the cocking motor gearbox cam rotates in the correct direction (counter clockwise if viewed by the side of the electrical box). If it moves in a “clockwise” direction, ask your electrician to reverse two phases on the power supply.

3. Connect the "Pull Cord".

Plug the white 4-pin plug of the cable release onto the control box marked "PULL CORD/REMOTE CONTROL" and latch the clip to hold this in position.

4. Loading the magazine:

Load the three columns in the rear of the magazine first, by following these instructions.

➔ Place a stack of targets in the magazine column, being careful not to bump or drop them.

Remove any broken or cracked targets and make sure the targets are not stuck together.

Check that the bottom target is resting squarely on the magazine base and is not resting on the edge of the black rubber block on the "Target Retainer Leaf Springs" .

Continue to place additional stacks of targets in this column until it is full.

Move the toggle switch marked "**ON-OFF**" on the electrical control box from the "**OFF**" position to the "**ON**" position.

Press the "**PULL**" button three or four times to fire the trap and to rotate the magazine. There should now be 3 empty columns at the rear of the magazine, the full columns being at the front of the trap.

Move the switch marked "**ON-OFF**" on the electrical control box to the "**OFF**" position. (Switching off the trap).

➔ Load the remaining three columns in the magazine.

5. Move the switch marked "**ON-OFF**" on the electrical control box to the "**ON**" position. Fire several more targets to check the flight path.

6. The test procedure is now complete.

7. Move the switch marked "**ON-OFF**" on the electrical control box from the "**ON**" position to the "**OFF**" position (Switching off the trap).

TROUBLE SHOOTING

CAUTION: BEFORE MAKING ANY CHANGES OR ADJUSTMENTS MAKE SURE THAT THE SWITCH ON THE ELECTRICAL CONTROL BOX IS ON THE “OFF” POSITION AND THAT THE POWER SOURCE IS UNPLUGGED.

I. THE COCKING MOTOR(S) WILL NOT START

Electricity is not connected.

The circuit breaker is off or the fuse has blown. Remove the cover of the control box and see if the circuit breaker has "Popped". If it has, press it in. Check the fuses. If the circuit breaker continues to "kick out", or if fuses continue to blow, check all wiring and electrical supply to locate the cause before continuing.

The electric power supply is inadequate. (Check with multimeter: 12 V, 110, etc...).

Electrical connections are dirty or loose.

The motor has burnt out.

The electrical connections do not comply (see Start-Up Instructions).

Check the transformer (except for 12V), the relays and the time-switches.

II. THE WHEEL WILL NOT TURN

A target is blocking the wheel. Switch the toggle from the electrical control box on the “OFF” position, take out the target(s) from the chute.

The wheel-driving belt is broken.

Check the roll-bearings of the wheel.

III. THE MAGAZINE WILL NOT ROTATE

The magazine indexing finger spring is missing, loose, out of place or broken, and the magazine indexing finger is not engaging with the magazine.

The magazine indexing finger needs lubricating.

A target won't fall and is blocking the magazine. Switch the toggle from the electrical control box on the “OFF” position, take out the target(s) from the concerned column.

Compare the height of the target retaining leaf spring and the height of the target itself.

Check if the target retaining leaf spring is not damaged.

IV. THE MACHINE WILL NOT FIRE

There is no electrical supply.

The "Pull" switch or remote release system is not working.

The battery in the Optional Radio Control transmitter is flat or exhausted, and needs replacing.

The "ON-OFF" switch of the electrical control box is in the "OFF" position.

The circuit breaker(s) is (are) on the “OFF” position.

The fuse(s) is (are) damaged.

V. THE MAGAZINE MOTOR DOES NOT STOP THROWING TARGETS.

The micro-switch is broken or out of adjustment, and causes the cocking motor to run continually.

The "PULL" button is stuck, or the cable is damaged.

The optional Radio Control transmitter is placed somewhere with pressure on the transmit button.

(e.g. in a tool-box, desk draw, pocket, gun-case etc.) Check by unplugging the Radio Control Receiver from the electrical control box.

Another Radio Control transmitter may have its 'code' (dipswitches) tuned to the same as that of the receiver and might set off the machine. Check by unplugging the Radio Control Receiver from the electrical control box.

The relays in the control box may be "Burnt-Out"

VI. ABNORMAL NOISES

Check all bolts for tightness.

The gearbox is low on oil.

The magazine indexing finger arm is bent or the magazine spindle is tight in its bearing.

Lack of lubrication on magazine main shaft.

Check the roll-bearings of the wheel.

The wheel is blocked and touches the frame of the trap.

The tyre of the wheel is damaged.

VII. THE TARGETS BREAK IMMEDIATELY WHEN FIRING

The targets were damaged prior to loading.
The targets were damaged during loading.
Mixed targets (different diameters in it stack i.e. 100-110mm).
The rubber strip of the chute is damaged.
The wheel is pressing too much on the targets.
Compare the height of the target retaining leaf spring and the height of the target itself.
Check that nothing is in the way of the target trajectory.
The safety guard is bent up into target flight path.
Check ALL reasons in Section VIII below.

VIII. TWO TARGETS FALL FROM THE MAGAZINE

Mixed targets (different diameters in same stack i.e. 100-110mm)
The target retaining leaf springs are damaged or loose, or there is not enough sideways pressure on the target retaining leaf springs.
The position of the magazine base is too high with regard to the magazine support (the surface contact between the target and the rubber of target retaining leaf spring is insufficient).

IX. THE TARGETS DO NOT COME OUT OF THE MAGAZINE

The targets are stuck together. Separate them before putting them in the magazine.
Mixed targets. (different diameters in same stack i.e. 100-110mm)
Magazine rods are damaged or bent and are restricting the vertical movement of the target stack.
The target retaining leaf springs 6 COLUMNS are bent or twisted and block the last target or prevents the column of targets from moving down.
The magazine support base is damaged.
The magazine is twisted.
The magazine indexing finger is not engaged with the magazine or its spring is damaged. Check the pressure on the finger and lubricate if necessary.

SPARE PARTS

REFERENCE	DESIGNATION	REFERENCE	DESIGNATION
1112021	SWITCH ON/OFF A.P.R 638H/2E	1301650	SELF LUBR.BEARING 16/20X16 185V
1112071	ON/OFF SWITCH 10.648.N/2E	1301655	SELF LUBRIC.BEAR.20X24X16 185
1112111	PUSH BUTTON 1213/E COMPL.	1301680	SELF LUBRIC.BEAR.C25X32X20 185
1114105	CECLA FOR ELECT. CONTR. CARD 47-017	1301800	MAG.STAR RET. PART 10C 185V
1115532	CPLT.4 PIN MALE HARTING PLUG	1301880	TRAP FIXING PLATE
1131001	ELECT. BOX V - 12V	1302070	ARM RUBBER 185-2001 *
1131011	ELECT. BOX V-PC-SK/110V	1302260	WASHER (MAIN SPIN.) AS2035 185
1131021	ELECT. BOX V-PC-SK/220V	1302310	ROLL.BEARING 6200 2RS 185V-2001
1131041	ELECT. BOX V-PC-SK/380V	1302385	CARDAN BELLOWS MA20 185V
1140036	COMPLETE 1 BUTTON RELEASE HANDLE	1302425	THROW.ARM CON.BLOCK L2 185
1140309	SIMPLE PULL RELEASE	1302580	MAG.OUTSIDE CYLINDER 320 185R
1140330	EXTERNAL REMOTE CONTR. SWITCH	1302585	MAG.OUSTIDE CYLINDER 185R
1150103	ELECT.CARD V-PC 12V w/out SWITCH	1302595	MAG.INSIDE CYLINDER 320 185R
1150211	ELECTRONIC CARD V-PC-SKT-LB 110V	1302600	MAG.INSIDE CYLINDER 400 85R
1150221	CARD V-PC-SK-LB/220 V	1302650	THREADED EYE ROD 12X130 185 *
1150241	CARD V-PC-SK-LB/380 V	1302660	COMPLETE THREADED EYE ROD 185V
1300210	MAIN SPINDLE 185	1302915	COCKING SCREW M12 185
1300280	KNOB SPINDLE 185V	1302925	THREADED CONNECTOR ROD 185
1300675	COMPLETE THROWING ARM 185 PC *	1303180	BASE PLATE 185V
1300685	NEEDLE BEARING AXK 2035 185	1304430	L2 ANGLE LIMITER ADAPTOR
1300795	CARDAN MA20 185V	1304875	ALUM.MAIN CASTING LAPORTE
1300800	TRAP FIXING PLATE SUPPORT 185V	1305075	CPLT.ONE-WAY BEARING 581-185E
1300815	U CONNECTOR 12 X 24 185V	1305915	CLAY SEPARATOR 185 PC 6C
1300825	INDEXING BLOCK 185V	1306125	CLAY SEPARATOR 185 PC 6C NEW MOD.
1300960	MAGAZINE RACK 10C 185	1306230	CARDAN BASE 185V CPLT
1301090	ALUMINIUM MAGAZINE BASE 185R	1306290	ADJUSTING AXIS 185V 2000
1301100	TARGET RET. BASE 10C COMPL. 185V	1306295	LOADING MOTION INDUCER 185V CPLT
1301160	MAIN SPINDLE SPACER 20/35X5 185	1400248	INSIDE CIRCLIP AC CIRIN 30-000
1301290	MAGAZINE TOP PLATE	1500005	COCKING MOTOR 12V 125->2001
1301385	MAGAZINE RUBBER ROLLER 185R	1500040	MOTOR LS 71 P A.110V
1301480	GUIDE SCREW 185V	1500045	MOTOR LS 71 PA 220V *
1301520	LIP SEAL G35X42X4 185	1500050	MOTOR LS 71 A 380V *
1301555	TARGET RET. LEAF SPRING 185 6C*	1500075	REDUCER 2 BAVR 60HO"P" 185
1301620	MAGAZINE PAD 185V		

If you have any questions or need assistance, please call :
 LAPORTE® Head Office Phone : +33 493 65 77 77 Fax : +33 493 65 77 78
 e-mail export@laporte-shooting.com www.laporte-shooting.com

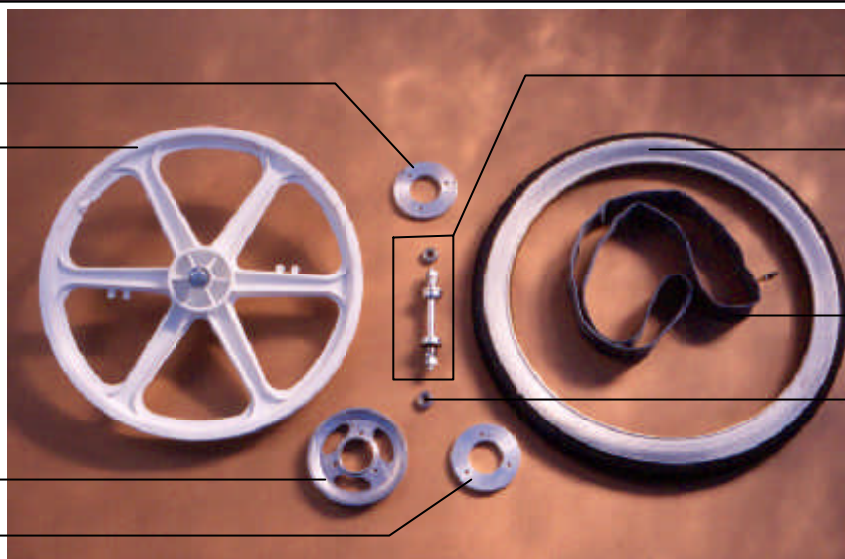
SPARE PARTS WHEEL RABBIT

1302240

1301515

1302025

1302250



1306235

1301970

1300810

1304275

RIM + WHEEL

1306240



1302295

RABBIT FRAME



1300820

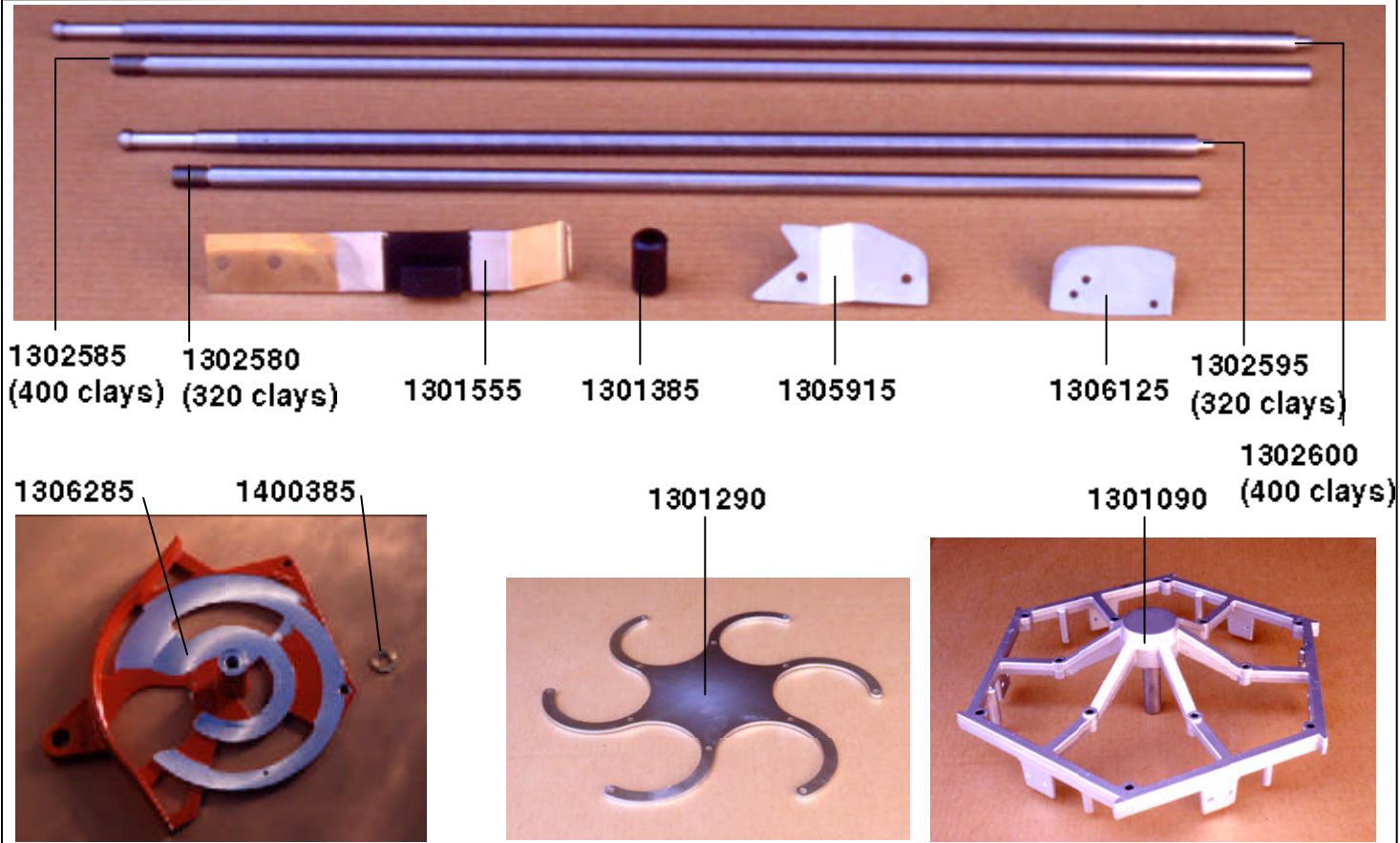
CHUTE



1301450

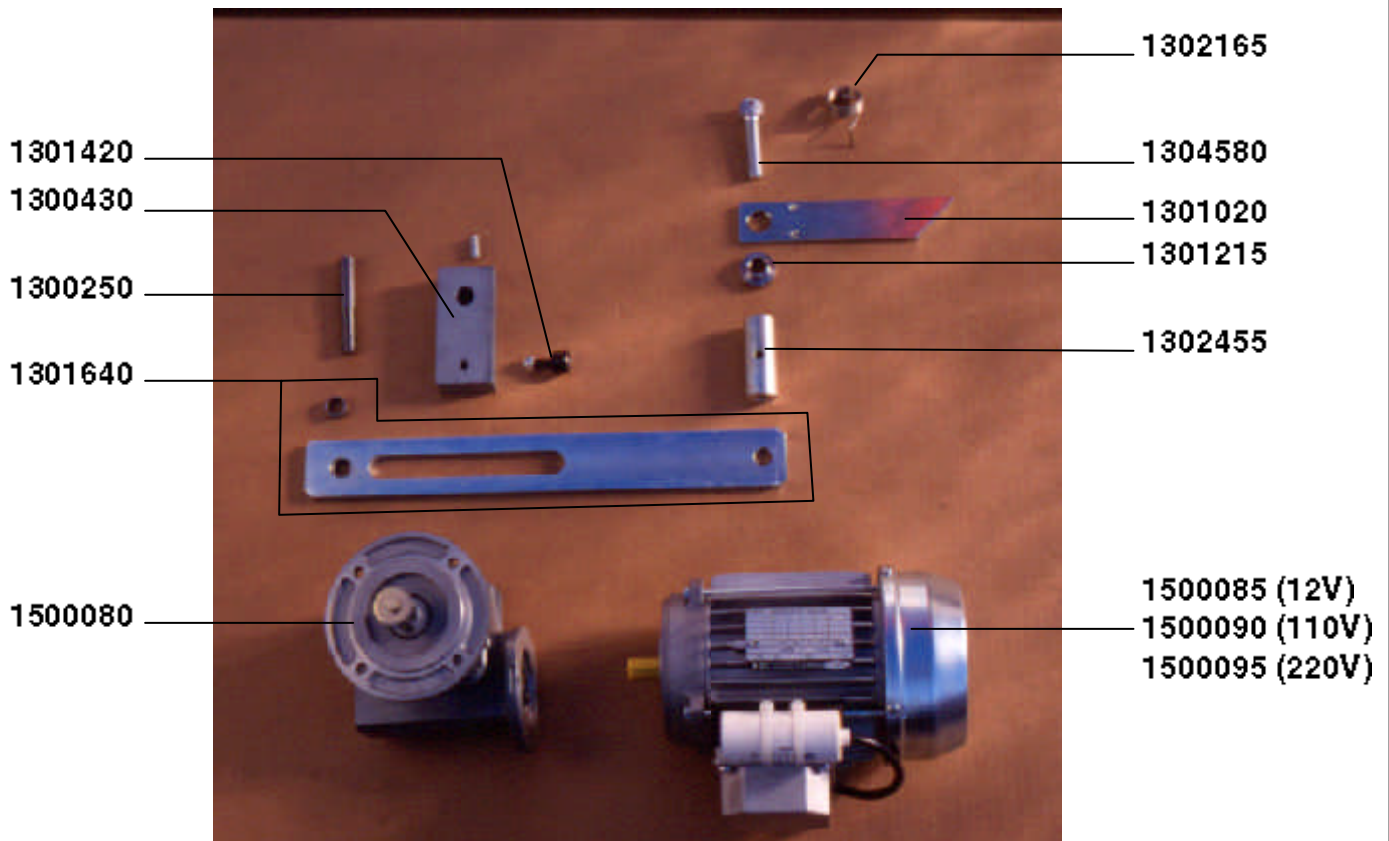
CAROUSSEL BASE & COMPONENTS

6 COLUMNS



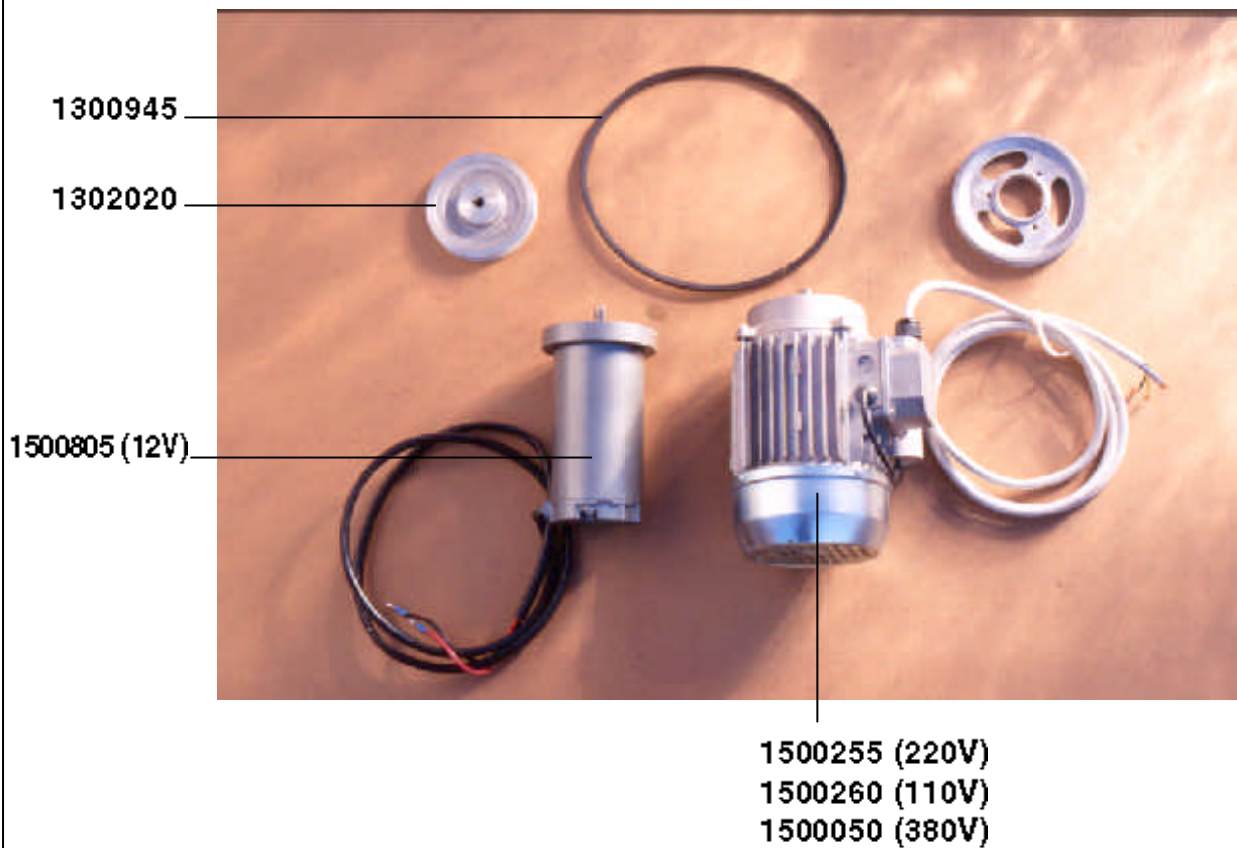
ROTATE SHAFT & COMPONENTS

6 COLUMNS



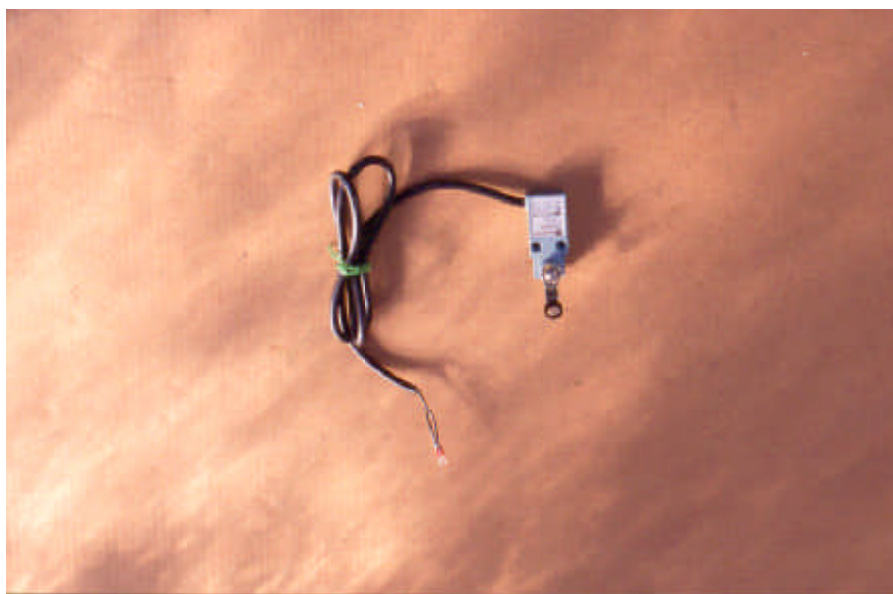
WHEEL MOTOR

RABBIT



MICRO-SWITCH

RABBIT



1112365

ELECTRIC CONTROL BOX**12V****PC**

1130290

1114435

1117911

1117933

1115834

1150160

1112111

1112014

1140309

1140036

1112111

1115532

ELECTRIC CONTROL BOX**110V****PC**

1130010

1114915

1114910

1117911

1115834

1114590

1114100

1112111

1112014

1140309

1140036

1112111

1115532

1114510

ELECTRIC CONTROL BOX**220V****PC**

1130025

1114910

1114895

1117901

1115834

1114590

1114100

1112111

1112014

1140309

1140036

1112111

1115532

1114510

ELECTRIC CONTROL BOX**380V****PC**

1130030

1114895

1117940

1115834

1114590

1114100

1112111

1112014

1140309

1140036

1112111

1115532

1114510